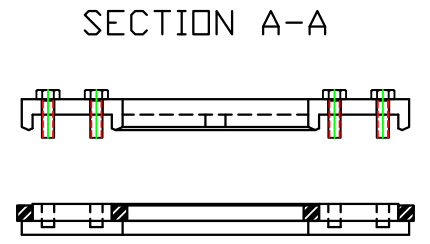
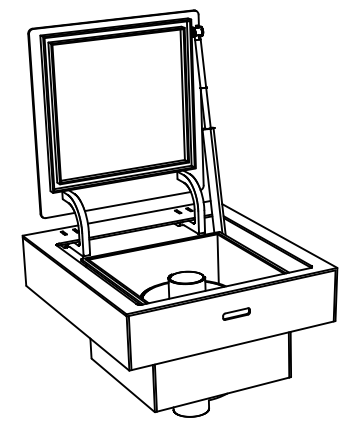
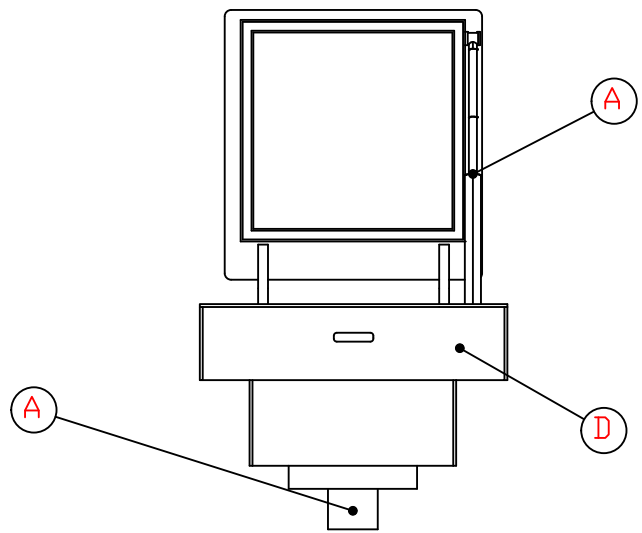
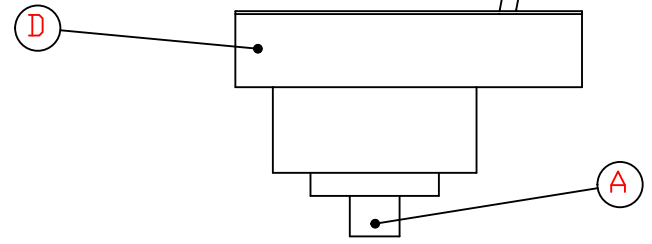
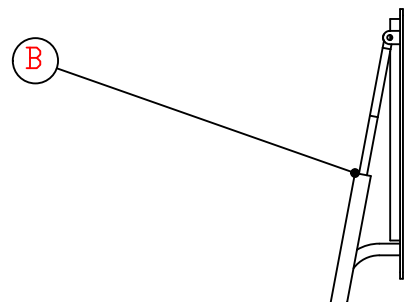

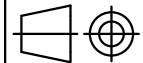


	A	B	C	D
DN	Ext. Piping (mm)	Open system	Solenoid Type	Material
32	42,4	Automatic hydraulic piston	IP 66	AISI 316
40	48,3			
50	60,3			
60-65	76,1			
80	88,9			
100	114,3			
125	139,7			
150	168,33			
200	219,1			
250	273			



General tolerances used for manufacturing	Sheet N° 001	Format : A2	Material: N/A	TotWeight N/A
	Title HELL SEA EMERGENCY GENERATOR HATCH ASSEMBLY			Projection Method 
	Restricted due to Information Drawing		Drawing number HSEH-27112020-001	REV 1